

Hallwood Modular Buildings is now distributing new Ares 3' x 7' blast resistant doors. These doors can be sold with or without a blast resistant window.

The main advantage of our blast resistant doors over other competitors are:

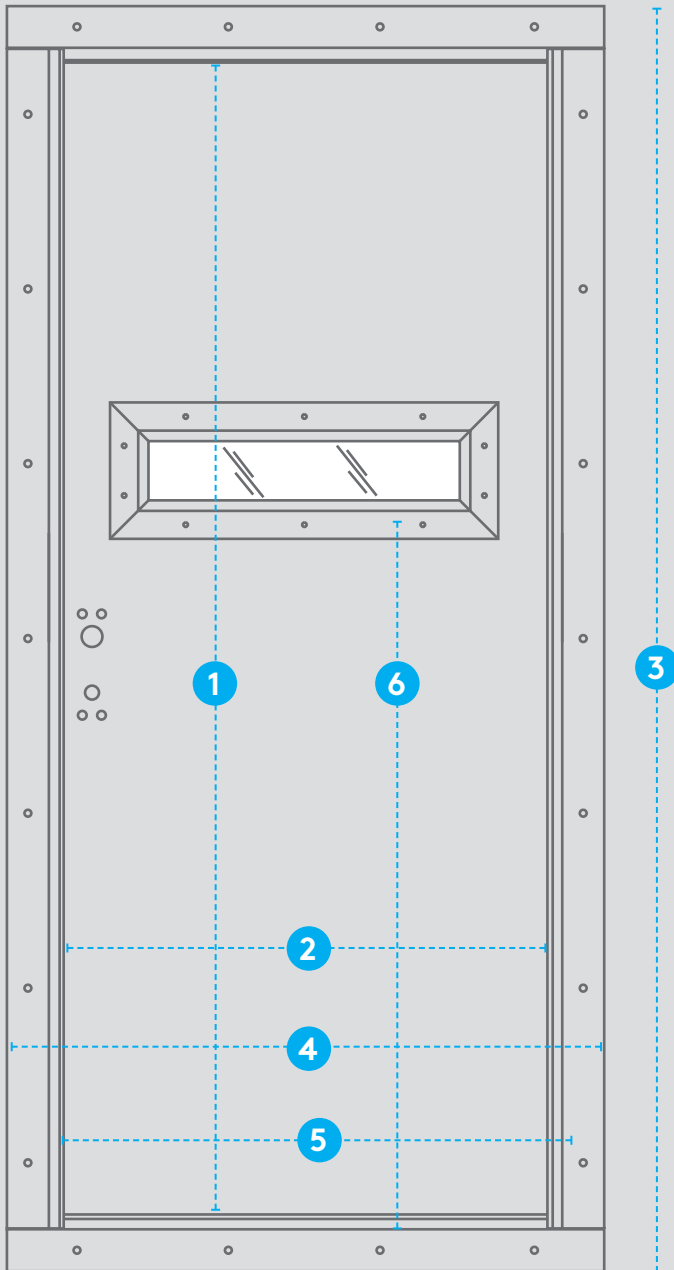
- Offers an 8 psi, 200 ms, MD blast rating
- Offers a 10 psi, 160 ms, HD blast rating
- Custom options available
- Light weight design
- Flange mounted
- Reduced maintenance on the door hardware
- Less likely to slam shut
- Left hand and right hand swing options
- Corrosion resistant

Call us for a FREE QUOTE! | 409-351-3222

Top View



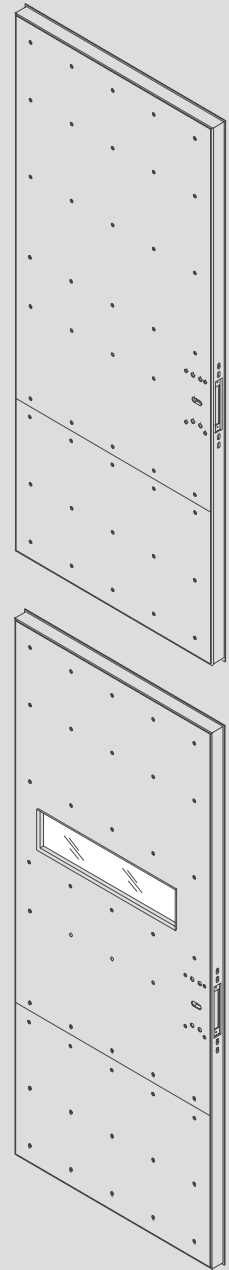
Exterior View



Side View



Isometric View



SCALE: N.T.S.

DIMENSIONS

Door Slab

- 1 Height: 6'-11.5" (2120.9mm)
- 2 Width: 2'-11.5" (901.7mm)

Door Jam

- 3 Height: 7'-0.375" (2143.125mm)
- 4 Width: 3'-6.5" (1079.5mm)
- 5 Interior Width: 3'-0.5" (927.1mm)

Window Elevation

- 6 Height: 4'-3.5" (1308.1mm)

Available with or without windows